

2010

ASEC INDUSTRIES PTE LTD

No. 1 Upper Aljunied Link,
#08-02, Joo Seng Warehouse Block A, Singapore 367901

TEL: (65) 6383 4368 / 6284 2051

FAX: (65) 6383 4369

Email: shirleytan@asec.com.sg

Email: sales@asec.com.sg

Website: www.asec.com.sg

[LIGHTING CATALOGUE]

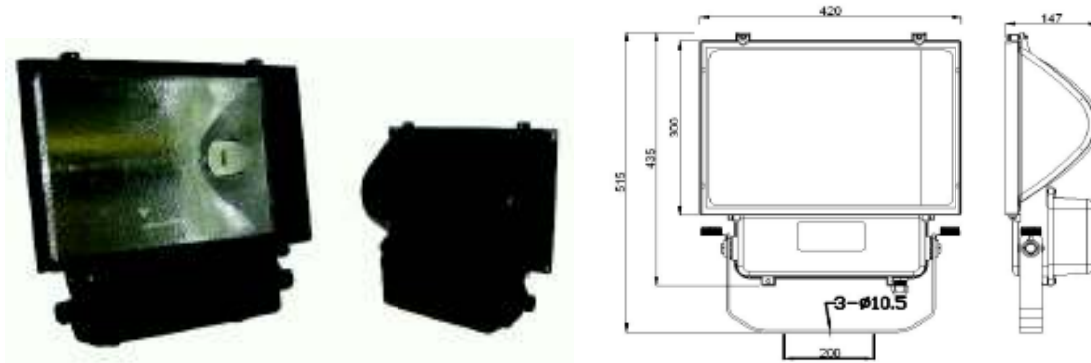
Specification subject to change without prior notice

Table of Contents

400W High Intensity Discharge Floodlight.....	4
1000W High Intensity Discharge Floodlight.....	4
2000W High Intensity Discharge Floodlight.....	5
175W & 150W Floodlight.....	6
400W High Bay.....	7
300W or 500W Halogen Floodlight with sensor.....	7
150W Clip On Halogen Floodlight.....	8
Halogen Floodlight with Sensor.....	9
Halogen Floodlight with Guard.....	10
Halogen Floodlight with Guard.....	11
Halogen Floodlight With Accessories.....	12
Weatherproof Fluorescent Lighting.....	13
Fluorescent lighting.....	14
JTF Triangle lighting.....	15
JMR Metal Reflector Fitting.....	16
JAR Angle Reflector Fitting.....	17
JSD Daikon Fitting Round.....	18
JSD Daikon Fitting Square.....	19
JWG Guard Fitting.....	20
JMF Mirror Reflector Fitting.....	21
JAC Recess Ceiling Fitting.....	22
Fluorescent Lamp Holder.....	23
Slim Emergency Exit Light.....	24
White LED Slim Box Emergency Exit Sign.....	25
White LED Slim Emergency Exit Sign.....	26
Box Emergency Exit Sign.....	27
Self Luminous Exit Sign.....	28
Weatherproof Emergency Exit Sign.....	29
Decorative White LED Twin Flood Emergency Light.....	30
Twin Flood Emergency Light WeatherProof.....	31
Twin Flood Emergency Light.....	32
Compact Emergency Light.....	33
Box Emergency Light.....	34
Projector Flood Light With Guard 160W.....	35

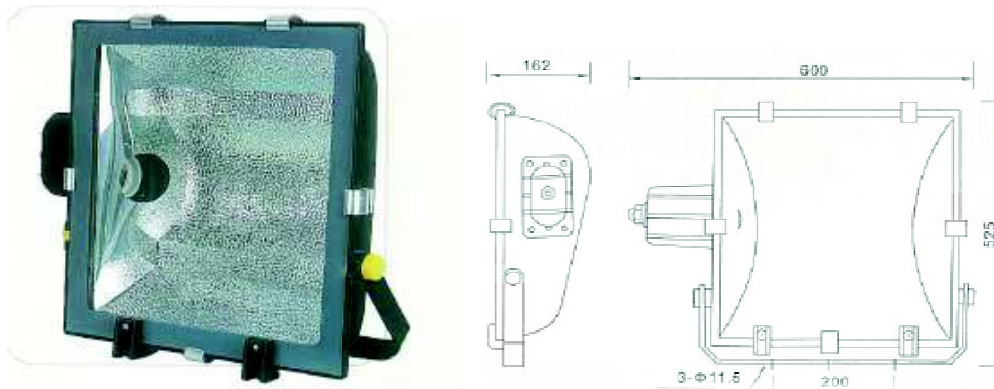
Projector Flood Light With Guard 500W.....	36
Watertight & Vibration Proof Pendant Light	37
Wall Bracket Watertight & Vibration Proof Pendant Light.....	38
Wall Light Watertight & Vibration Proof Pendant Light	39
Revolving Warning Light	40
Beacons and indicator Banks	41
Signal Light & Audio	42
Audio	43
Watertight Bell.....	44

400W High Intensity Discharge Floodlight



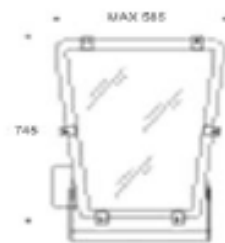
Description: IP 65 ZY 2004 Symmetrical Floodlight in die cast aluminium body and frame with anti electro-static spray coating, with toughened safety glass high purity anodised aluminium reflector.

1000W High Intensity Discharge Floodlight



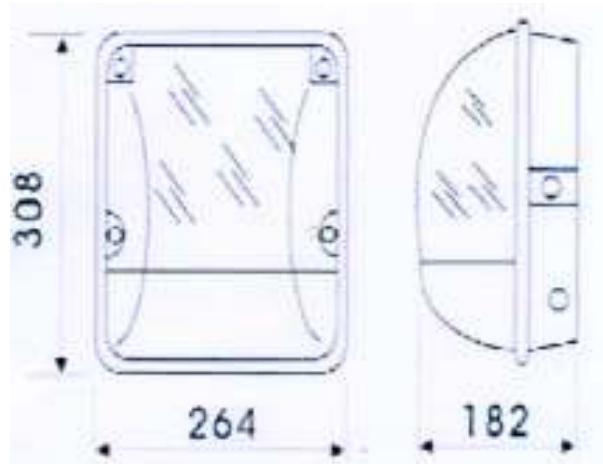
Description: IP65 ZY-2015B 1000W Floodlight in Symmetrical Light Distribution Die Cast Aluminium Body and Frame, Toughened Safety Glass Cover, High Purity Anodised Aluminium Reflector, Stainless Steel Clip,

2000W High Intensity Discharge Floodlight

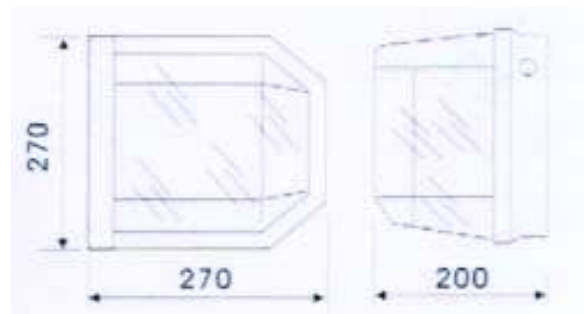


Description: LASER/M Assymmetrical Floodlight in die cast aluminum body and cover finished in RAL9006, Aluminium wiring box with hinged technopolymer cover, High purity aluminium anodised and polished reflector (Medium Beam / Narrow Beam) toughened safety glass hinged to the body by stainless steel clips, anti ageing silicon rubber gasket, Galvanised Steel Mounting Bracket

175W & 150W Floodlight



Model HF 308



Model HF 270

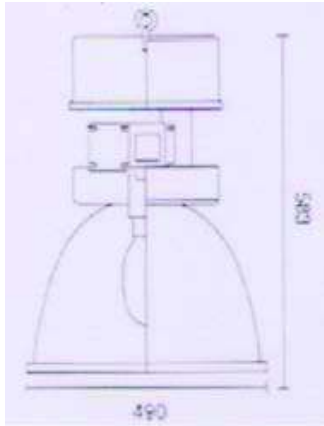
Operating Voltage: ,224-240V: MH 175W. HPS 150 E27 Material: Aluminium die cast

(Housing) Polycarbonate –

UV Diffuser Finishing: Brown

Protection Degree: IP55

400W High Bay



300W or 500W Halogen Floodlight with sensor



DESCRIPTION Optical place in die cast aluminium, tray-fittings unit in nylon

Pure aluminium reflector Reflector

Protective screen in temper glass 5mm

Zinc plated steel screw

Specification subject to change without prior notice

Page 7

ASEC INDUSTRIES PTE LTD

No. 1 Upper Aljunied Link #08-02, Joo Seng Warehouse Block A, Singapore 367901

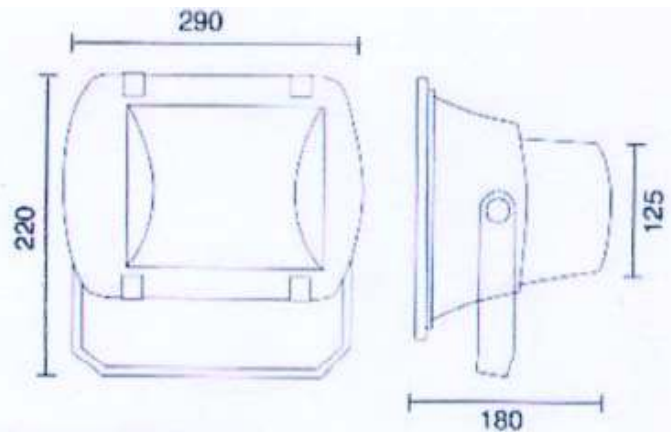
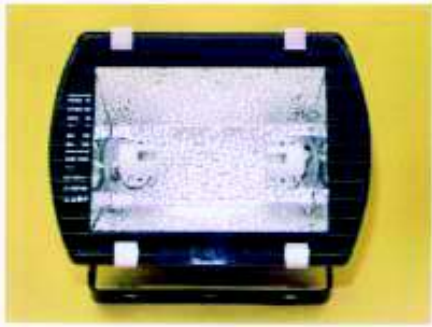
TEL: (65) 6383 4368 / 6284 2051

FAX: (65) 6383 4369

Email: shirleytan@asec.com.sg

Website: www.asec.com.sg

150W Clip On Halogen Floodlight



R7S 75W & 150W

FEATURES Aluminum die cast housing

Corrosion - resistant powder code paint.

Comes in black.

Integral control gear Ballast component or movable gear tray .

Weatherproof IP 65 durable silicon rubber gasket.

Heat resistant tempered glass.

Stainless-steel clips for easy maintenance.

Specification subject to change without prior notice

Page 8

ASEC INDUSTRIES PTE LTD

No. 1 Upper Aljunied Link #08-02, Joo Seng Warehouse Block A, Singapore 367901

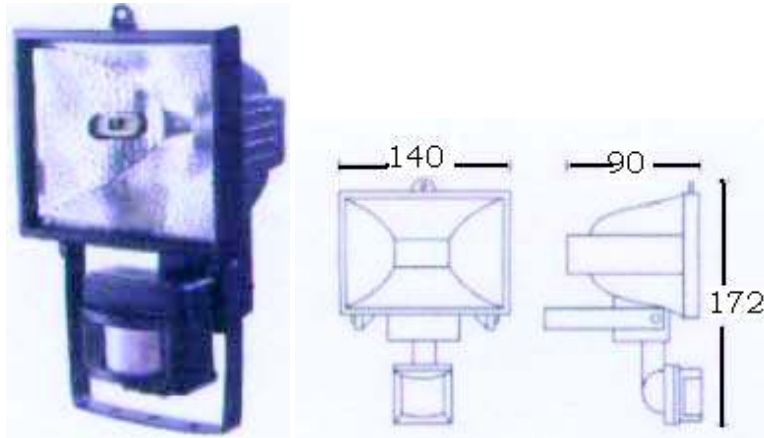
TEL: (65) 6383 4368 / 6284 2051

FAX: (65) 6383 4369

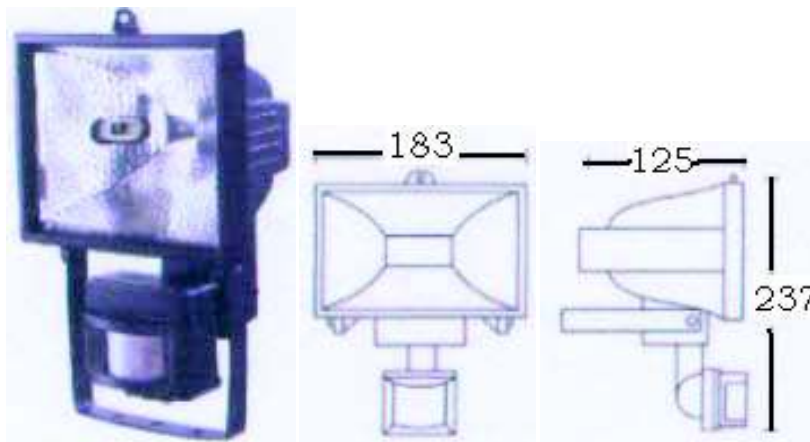
Email: shirleytan@asec.com.sg

Website: www.asec.com.sg

Halogen Floodlight with Sensor

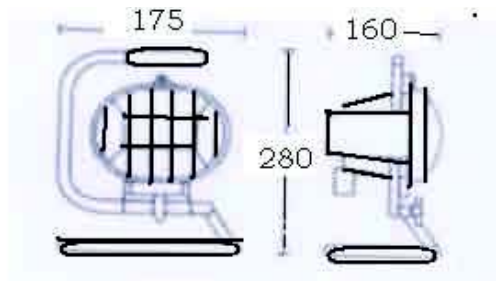


Model : SH 150
Max Watt : 150W
Lamp : J78 150W R7S
Material . Die casting Aluminium
IP Rating: IP54
Sensor Range: 8M (at 25 °c)
Sensor Angle: 120 ° / 180 °
Time Set: 6seconds -10minutes

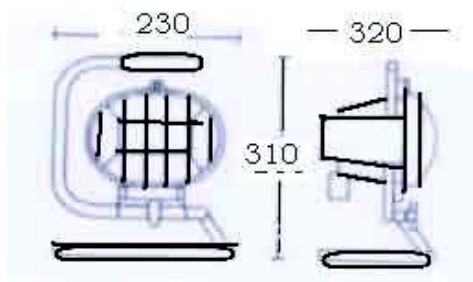


Model : SH 500W
Max Watt : 500W
Lamp : J118 500W R7S
Material . Die casting Aluminium
IP Rating: IP54
Sensor Range: 8M (at 25 °c)
Sensor Angle: 120 ° / 180 °
Time Set: 6seconds -10minutes

Halogen Floodlight with Guard

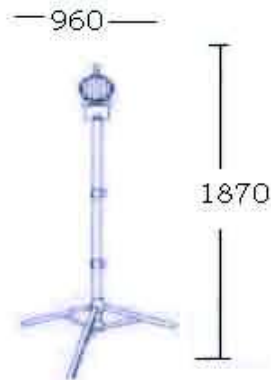


Model : GH 150
Max Watt : 150W
Lamp : J78 150W R7S
Material . Die casting Aluminium
IP Rating: IP54



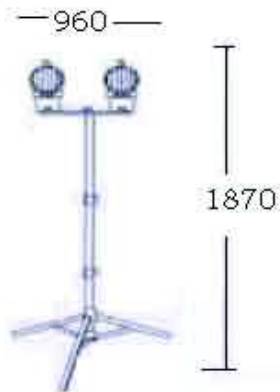
Model : GH 500
Max Watt : 500W
Lamp : J118 500W R7S
Material . Die casting Aluminium
IP Rating: IP54

Halogen Floodlight with Guard



Model MHL 052A
Max Watt : 1x150W
Lamp : J78 150W R7S
Material . Die casting Aluminium
IP Rating: IP54

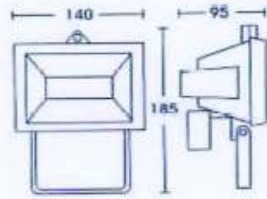
Model MHL 052B
Max Watt : 2x150W
Lamp : J78 150W R7S
Material . Die casting Aluminium
IP Rating: IP54



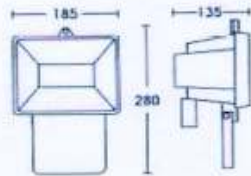
Model MHL 053A
Max Watt : 2x150W
Lamp : J118 500W R7S
Material . Die casting Aluminium
IP Rating: IP54

Model MHL 053B
Max Watt : 2x500W
Lamp : J118 500W R7S
Material . Die casting Aluminium
IP Rating: IP54

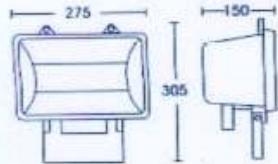
Halogen Floodlight With Accessories



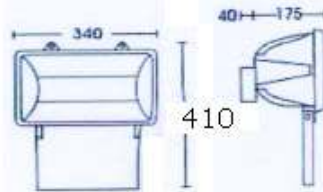
- Max Watt: 150W
- Lamp: J78 150W R7S
- Material: Die casting Aluminium
- IP Rating: IP54



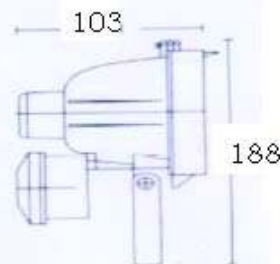
- Max Watt: 500W
- Lamp: J118 500W R7S
- Material: Die casting Aluminium
- IP Rating: IP54



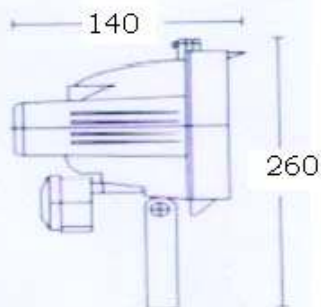
- Max Watt: 1000W
- Lamp: J189 1000W R7S
- Material: Die casting Aluminium
- IP Rating: IP54



- Max Watt: 1500W
- Lamp: J254 1500W R7S
- Material: Die casting Aluminium
- IP Rating: IP54



- Max Watt: 150W
- Lamp: J78 150W R7S
- Material: Die casting Aluminium
- IP Rating: IP54



- Max Watt: 500W
- Lamp: J118 500W R7S
- Material: Die casting Aluminium
- IP Rating: IP54

FWP IP65 T8



<i>Model no.</i>	<i>L(mm)</i>	<i>W (mm)</i>	<i>H(mm)</i>
WP118 1X18W	675	112	100
WP218 2X18W	675	166	100
WP136 1X36W	1278	112	100
WP236 2X36W	1278	166	100

FWP IP65 T5

<i>Model no.</i>	<i>L(mm)</i>	<i>W (mm)</i>	<i>H(mm)</i>
TW114 1X14W	675	112	100
TW214 2X14W	675	112	100
TW128 1X28W	1278	112	100
TW228 2X28W	1278	112	100

APPLICATION

FWP range of weatherproof fittings are suitable for:

- Carparks and underground garages.
- Industrial facilities & commercial areas.
- Assembly bays and utility rooms

FEATURES

Housing manufactured with polycarbonate for robust physical environments.

Diffuser - polycarbonate prismatic design that provides efficient light output and low glare.

Mounting - Installation kit for quick and easy mounting either by suspension or surface mount. No holes on housing required.

Gasket made of silica gel to ensure weatherproof and dustproof functions.

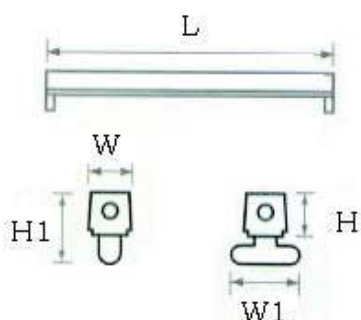
Wiring: Suitable for magnetic ballasts and electronic gear

Fluorescent lighting



Model No	No. Of Lamps	L	W	H	H1	W1
JLC 110	1 x 10W	355	50	37	70	
JLC 115	1 x 15W	460	50	37	70	
JLC 120	1 X 18W	610	50	37	70	
JLC 140	1 X 36W	1220	50	37	70	
JLC 220	2 X 18W	610	50	37	70	100
JLC 240	2 X 36W	1220	50	37	70	100

Note : All dimensions in mm and the tolerance is +/- 1.5mm



This quality standard channel fitting is recommended for economical applications where the illumination control is minimal. The housing is made of high grade materials and finished in white powder coating for durability. This fitting is suitable for ceiling mounting, wall mounting and pendant mounting by the use of the suspension system.

Specification subject to change without prior notice

Page 14

ASEC INDUSTRIES PTE LTD

No. 1 Upper Aljunied Link #08-02, Joo Seng Warehouse Block A, Singapore 367901

TEL: (65) 6383 4368 / 6284 2051

FAX: (65) 6383 4369

Email: shirleytan@asec.com.sg

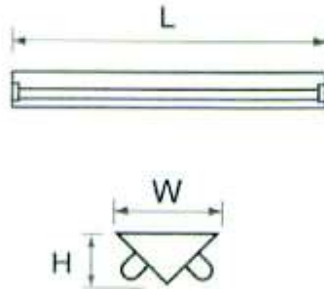
Website: www.asec.com.sg

JTF Triangle lighting



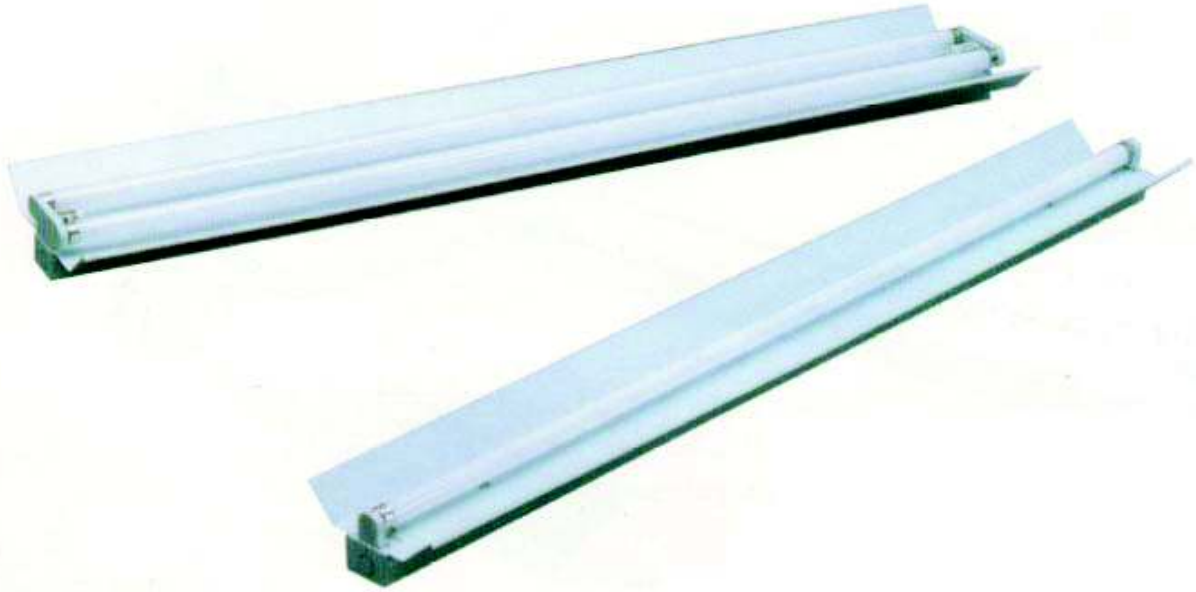
Model No	No. Of Lamps	L	W	H
JTF 220	2 x 18W	610	130	60
JTF 240	2 x 36W	1220	130	60
JTF 220M	2 X 18W	610	130	60
JTF 240M	2 X 36W	1220	130	60

Note : All dimensions in mm and the tolerance is +/- 1.5mm



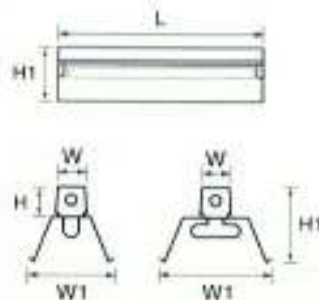
This quality symmetrical reflector fitting is recommended for economical applications for directional lighting. The housing is made of high grade materials and finished in white powder coating for durability. This fitting is suitable for ceiling mounting, wall mounting and pendant mounting by the use of the suspension system. Available in standard metal reflector or high efficiency mirror reflector.

JMR Metal Reflector Fitting



Model No	No. Of Lamps	L	W	W1	H	H1
JMR 120	1 X 18W	610	50	160	37	77
JMR 140	1 X 36W	1220	50	160	37	77
JMR 220	2 X 18W	610	50	240	37	77
JMR 240	2 X 36W	1220	50	240	37	77

Note : All dimensions in mm and the tolerance is +/- 1.5mm



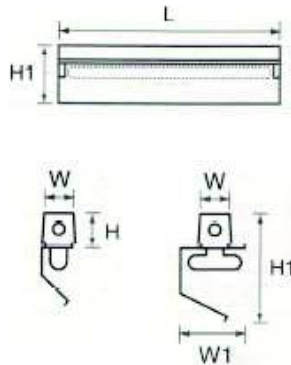
This quality symmetrical reflector fitting is recommended for economical applications for directional lighting. The housing is made of high grade materials and finished in white powder coating for durability. This fitting is suitable for ceiling mounting, mounting, wall mounting and pendant mounting by the use of the suspension system. Available in standard metal reflector or high efficiency mirror reflector.

JAR Angle Reflector Fitting



Model No	No. Of Lamps	L	W	W1	H	H1
JAR 120	1 X 18W	610	50		37	147
JAR 140	1 X 36W	1220	50		37	147
JAR 220	2 X 18W	610	50	110	37	202
JAR 240	2 X 36W	1220	50	110	37	202

Note : All dimensions in mm and the tolerance is +/- 1.5mm



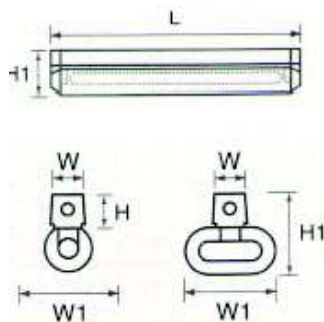
This quality angle reflector fitting is recommended for economical applications for directional lighting. The housing is made of high grade materials and finished in white powder coating for durability. This fitting is suitable for ceiling mounting, wall mounting and pendant mounting by the use of the suspension system. Available in standard metal reflector or high efficiency mirror reflector.

JSD Daikon Fitting Round



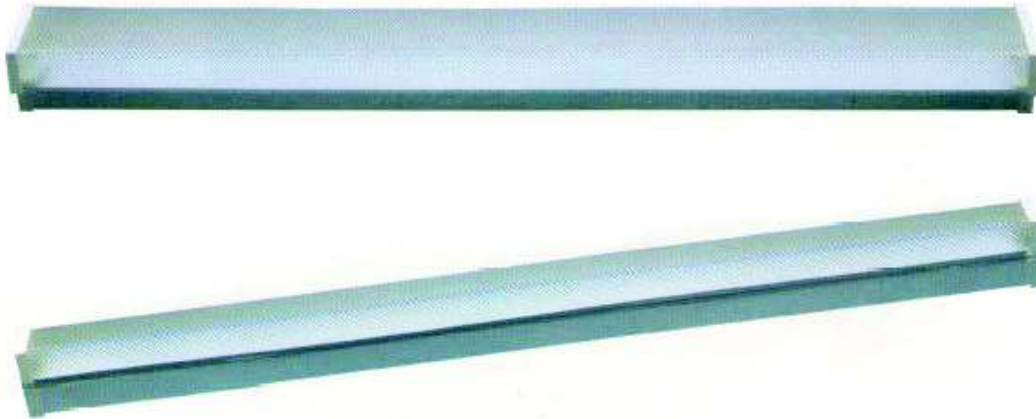
Model No	No. Of Lamps	L	W	W1	H	H1
JCD 120	1 X 18W	610	55	64	45	100
JCD 140	1 X 36W	1235	55	64	45	100
JCD 220	2 X 18W	610	55	125	45	100
JCD 240	2 X 36W	1235	55	125	45	100

Note : All dimensions in mm and the tolerance is +/- 1.5mm



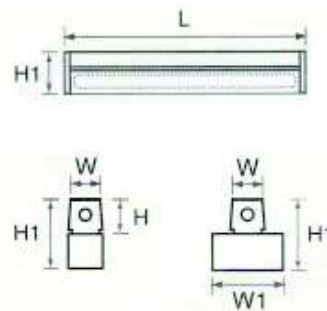
This quality circle prismatic fitting is recommended for economical applications for even illumination. The housing is made of high grade materials and finished in white powder coating for durability. This fitting is suitable for ceiling mounting, wall mounting and pendant mounting by the use of the suspension system. Available in 4 types of different diffuser.

JSD Daikon Fitting Square



Model No	No. Of Lamps	L	W	W1	H	H1
JSD 120	1 X 18W	610	54	60	34	85
JSD 140	1 X 36W	1235	54	60	34	85
JSD 220	2 X 18W	610	54	113	34	85
JSD 240	2 X 36W	1235	54	113	34	85

Note : All dimensions in mm and the tolerance is +/- 1.5mm



This quality square prismatic fitting is recommended for economical applications for even illumination. The housing is made of high grade materials and finished in white powder coating for durability. This fitting is suitable for ceiling mounting, wall mounting and pendant mounting by the use of the suspension system.

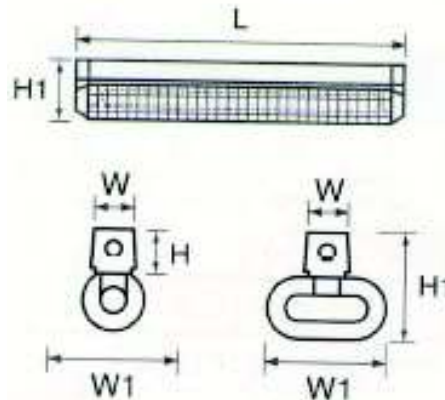
Available in 4 types of different diffusers.

JWG Guard Fitting



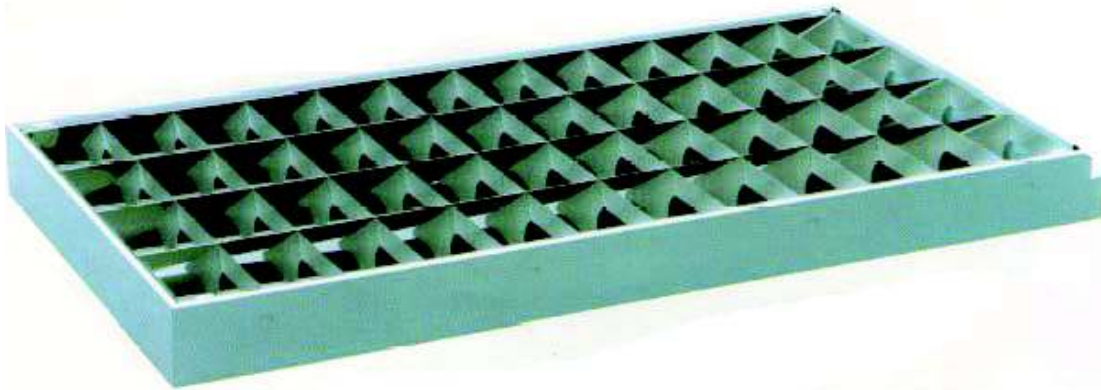
Model No	No. Of Lamps	L	W	W1	H	H1
JWS 120	1 X 18W	610	55	64	45	100
JWS 140	1 X 36W	1235	55	64	45	100
JWS 220	2 X 18W	610	55	125	45	100
JWS 240	2 X 36W	1235	55	125	45	100

Note : All dimensions in mm and the tolerance is +/- 1.5mm

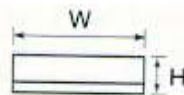
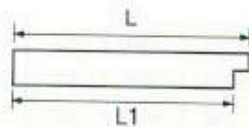


This quality wire guard fitting is recommended for economical lighting applications. Designed with rugged wire guard for the prevention of vandalism and theft. The housing is made of high grade materials and finished in white powder coating for durability. This fitting is suitable for ceiling mounting, wall mounting and pendant mounting by the use of the suspension system. Mainly used in public places for general illumination.

JMF Mirror Reflector Fitting



Model No	No. Of Lamps	L	L1	W	H
JMF 220/MM	2 X 18W	610	585	595	95
JMF 320/MM	3 X 18W	610	585	595	95
JMF 420/MM	4 X 18W	610	585	595	95
JMF 240/MM	2 X 36W	1220	1195	595	95
JMF 340/MM	3 X 36W	1220	1195	595	95
JMF 440/MM	4 X 36W	1220	1195	595	95

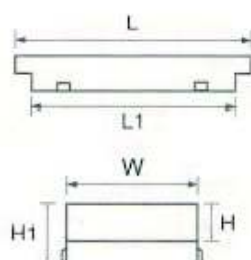


This quality light fitting is for recess mounting. The parabolic aluminium mirror optic louvre ensures even light distribution and glare is minimized. Maintenance on the light is simplified by the use of spring latch system. The housing is made of high grade materials and finished in white powder coating for durability. This fitting is suitable for general lighting in offices and super markets. This fitting is made for mounting on metric systems.

JAC Recess Ceiling Fitting



Model No	No. Of Lamps	L	L1	W	H
JAC 240	2 X 36W	1220	1200	600	100
JAC 340	3 X 36W	1220	1200	600	100
JAC 440	4 X 36W	1220	1200	600	100



This quality light fitting is designed for recessed mounting. The prismatic sheet ensures even light distribution and minimized glare.

The housing is made of high grade materials and finished in white powder coating for durability. This fitting is suitable for general lighting in offices and supermarkets.

Fluorescent Lamp Holder

J010 Lamp Holder



J110 Starter Holder



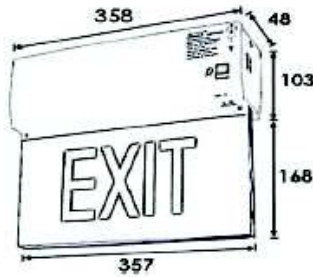
J210 Starter Holder



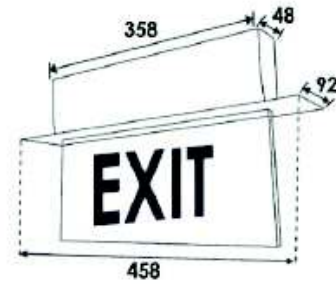
Slim Emergency Exit Light



Surface type



Surface type dimensions (mm)



Recess type dimensions (mm)

TECHNICAL DATA

Mode of Operation	:	Maintained.
Lamp	:	Super Bright Ø 5mm White LED.
Mains Supply	:	230V AC 50Hz
Power Consumption	:	3VA.
Battery	:	Maintenance-free High Temperature Nickel Cadmium.
Charger	:	Fully automatic constant current/dual-rate.
Charging Monitor	:	Ø 3mm Red LED.
Recharge Period	:	Less than 24 hrs.
Testing Facility	:	Micro-switch for independent testing.
Emergency Duration	:	3 hrs.
Safety Feature	:	Low-voltage cut-off to prevent over-discharge of battery.
Construction	:	Electro-galvanised steel casing; epoxy powder coating.
Weight	:	2.7kg.
Compliance	:	CP 19; SS263 pt.2; IEC 60598-2-22.
Installation	:	Ceiling, wall or pendant mounting.
Cable Entry	:	3 x 20mm Ø knockout hole.
Legend	:	White text over ISO green background.
Warranty	:	1 year.



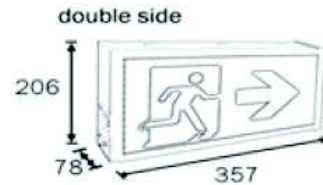
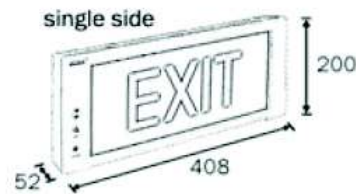
PSB Listed Label



Class 1

MODEL		LEGEND
SURFACE TYPE	RECESS TYPE	
SLED W1201M	SLED W1201M (RECESS)	
SLED W1201M -E	SLED W1201M-E (RECESS)	
SLED W1201M-T	SLED W1201M-T (RECESS)	
SLED W1201M-D (c/w 1 directional arrow)	SLED W1201M-D (RECESS) (c/w 1 directional arrow)	

White LED Slim Box Emergency Exit Sign



Dimensions (mm)

TECHNICAL DATA

Mode of Operation	: Maintained.
Lamp	: Super Bright Ø 5mm White LED.
Mains Supply	: 230V AC 50Hz
Power Consumption	: 9VA
Battery	: Maintenance-free High Temperature Nickel Cadmium.
Charger	: Fully automatic constant current.
Charging Monitor	: Ø 5mm Red LED.
Recharge Period	: Less than 24 hrs.
Testing Facility	: Push-off Test-switch for independent testing.
Emergency Duration	: 2.5 hrs.
Safety Feature	: Low-voltage cut-off to prevent over-discharge of battery.
Construction	: Electro-galvanised steel casing; epoxy powder coating.
Weight	: 2.2kg.
Compliance	: CP 19 ; SS263 pt.2 ; IEC 60598-2-22.
Installation	: Ceiling, wall or pendant mounting.
Cable Entry	: 4 x 20mm Ø knockout hole.
Legend	: White text/graphical symbol over ISO green background.
Warranty	: 1 year.



PSB Listed Label



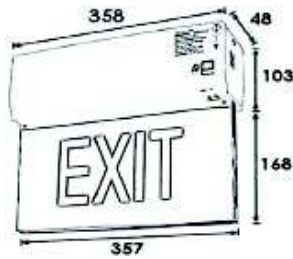
Class 1

MODEL	LAMP
BLEX W2001M PICTO W2001M	EXIT [Pictogram]
BLEX W2001M-E PICTO W2001M-E	← EXIT [Pictogram]
BLEX W2001M-T PICTO W2001M-T	EXIT → [Pictogram]
BLEX W2001M-D PICTO W2001M-D	EXIT → [Pictogram]

White LED Slim Emergency Exit Sign



Surface type



Surface type dimensions (mm)



Recess type dimensions (mm)

TECHNICAL DATA

Mode of Operation	: Maintained.
Lamp	: Super Bright Ø 5mm White LED.
Mains Supply	: 230V AC 50Hz
Power Consumption	: 3VA.
Battery	: Maintenance-free High Temperature Nickel Cadmium.
Charger	: Fully automatic constant current/dual-rate.
Charging Monitor	: Ø 3mm Red LED.
Recharge Period	: Less than 24 hrs.
Testing Facility	: Micro-switch for independent testing.
Emergency Duration	: 3 hrs.
Safety Feature	: Low-voltage cut-off to prevent over-discharge of battery.
Construction	: Electro-galvanised steel casing; epoxy powder coating.
Weight	: 2.7kg.
Compliance	: CP 19; SS263 pt.2; IEC 60598-2-22.
Installation	: Ceiling, wall or pendant mounting.
Cable Entry	: 3 x 20mm Ø knockout hole.
Legend	: White text over ISO green background.
Warranty	: 1 year.



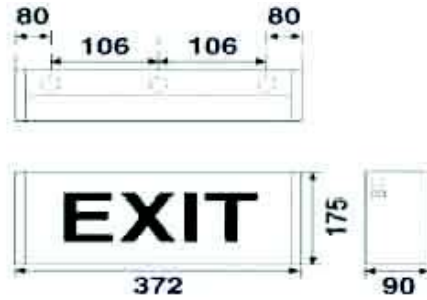
PSB Listed Label



Class 1

MODEL		LEGEND
SURFACE TYPE	RECESS TYPE	
SLED W1201M	SLED W1201M (RECESS)	
SLED W1201M -E	SLED W1201M-E (RECESS)	
SLED W1201M-T	SLED W1201M-T (RECESS)	
SLED W1201M-D (c/w 1 directional arrow)	SLED W1201M-D (RECESS) (c/w 1 directional arrow)	

Box Emergency Exit Sign



Single sided Dimensions (mm)

TECHNICAL DATA

Mode of Operation	: Combined non-maintained.
Lamp	: 2 x 8 watt fluorescent lamp.
Operating Temperature	: ta 40°C.
Mains Supply	: 230V AC 50Hz
Power Consumption	: 12VA.
Battery	: Maintenance-free High Temperature Nickel Cadmium.
Charger	: Fully automatic constant current/dual-rate.
Charging Monitor	: Ø 5mm Red LED.
Recharge Period	: 16 hrs.
Testing Facility	: Micro-switch for independent testing.
Emergency Duration	: 2 hrs.
Safety Feature	: Low-voltage cut-off to prevent over-discharge of battery.
Construction	: Electro-galvanised steel casing; epoxy powder coating.
Flammability Class	: Self-extinguishing.
Weight	: Single sided - 2.5kg.
Compliance	: CP 19; SS263 pt.2; IEC 60598-2-22.
Installation	: Ceiling, wall or pendant mounting.
Cable Entry	: Single sided - 4 x 20mm Ø knockout hole.
Legend	: White over ISO green background.
Warranty	: 1 year.



PSB Listed Label



Class 1

MODEL	LEGEND
BEX 28S	
BEX 28S-E	
BEX 28S-T	

Self Luminous Exit Sign



Dimensions (mm)

TECHNICAL DATA

MAINTENANCE-FREE WEATHERPOOF FIRE SAFETY AND EMERGENCY SIGNAGES

REQUIRE **NO**:

- * Electricity
- * Wiring / conduit
- * Hacking
- * Battery pack
- * Bulbs & lamps
- * Maintenance
- * Running costs

Tritium Activity Contents : 9.8Ci (360.8 GBq) for SED6 & 11.5Ci (424.4GBq) for SED5/SED4.

Material : Face plate - cast acrylic - 3mm thick - opal 030 colour.

: Back plate - foamed PVC - 10mm thick - white colour.

Weight : 300g for SED6, 400g for SED5 & 400g for SED4.

Compliance : CP 19: 2000 and BS 5499 pt.2 ; 1986.

LICENCED UNDER RADIATION PROTECTION ACT.

Installation : Wall or pendant mounting.

Mounting : 4 x 5mm Ø knockout hole c/w stud.

Warranty : 10 years.

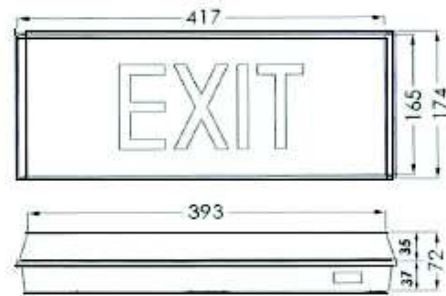


PSB Listed Label



MODEL	LEGEND
SINGLE FACE	
SED6	
SED5	
SED4	

Weatherproof Emergency Exit Sign



Dimensions (mm)

TECHNICAL DATA

Mode of Operation	: Maintained.
Lamp	: 1 x 8 W fluorescent tube
Mains Supply	: 240V AC 50Hz.
Power Consumption	: 12VA.
Battery	: 3.6V 1.6AH High temperature nickel cadmium battery.
Charger	: Constant current, Dual-rate
Charging Monitor	: L.E.D. - Red - Indicates charging. Equipped with push test switch to simulate power failure
Recharge Period	: 16 - 24 hours.
Testing Facility	: Push-off test-switch for independent testing.
Emergency Duration	: 2 hours.
Safety Feature	: Low-voltage cut-off to prevent over-discharge.
Construction	: Injection moulded fire retardant ABS housing and acrylic diffuser.
Weight	: 2.45kg.
Compliance	: CP19 : 2000, SS 263 PART 2 : 1998
Installation	: Surface mounted direct to wall
IP rating	: IP 65
Warranty	: 1 year.



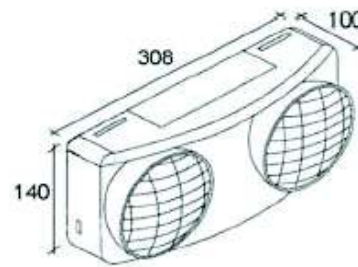
PSB Listed Label



Class 1

MODEL	LEGEND
SINGLE FACE	
TBJ 100 WP	
TBJ 100 WP-E	
TBJ 100 WP-T	

Decorative White LED Twin Flood Emergency Light



Dimensions (mm)

TECHNICAL DATA

Mode of Operation	: Non-maintained.
Lamp	: White LED.
Mains Supply	: 230V AC 50Hz
Power Consumption	: 3VA
Battery	: Maintenance-free High Temperature Nickel Cadmium.
Charger	: Fully automatic constant current.
Charging Monitor	: Ø 5mm Red LED.
Recharge Period	: Less than 24 hrs.
Testing Facility	: Push-off Test-switch for independent testing.
Emergency Duration	: 2 hrs.
Safety Feature	: Low-voltage cut-off to prevent over-discharge of battery.
Construction	: Injection moulded thermoplastic housing.
Weight	: 3.4kg.
Compliance	: CP 19 ; SS263 pt.2 ; IEC 60598-2-22.
Installation	: Wall or pendant mounting.
Cable Entry	: 1 x 20mm Ø knockout hole.
Warranty	: 1 year.



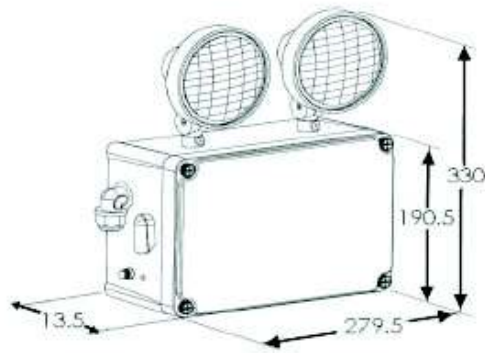
PSB Listed Label



Class 1

MODEL	LAMP
DL 2301NM	White LED

Twin Flood Emergency Light WeatherProof



Dimensions (mm)

TECHNICAL DATA

Mode of Operation	: Non-maintained.
Lamp	: 2 x 6V 10 watt Halogen lamp.
Operating Temperature	: ta 40°C.
Mains Supply	: 230V AC 50Hz
Power Consumption	: 4VA
Battery	: Maintenance-free Sealed Lead Calcium Battery. (Available in High Nickel Cadmium Battery)
Charging Monitor	: Ø 5mm Red LED.
Recharge Period	: 16 hrs.
Testing Facility	: Push-off Test-switch for independent testing.
Emergency Duration	: 2 hrs.
Safety Feature	: Low-voltage cut-off to prevent over-discharge of battery.
Construction	: High-impact plastic housing
Flammability Class	: Self-extinguishing.
Weight	: 3.4kg.
Compliance	: CP 19 ; SS263 pt.2 ; IEC 60598-2-22.
Installation	: Wall or pendant mounting.
Cable Entry	: 1 x 20mm Ø knockout hole.
Warranty	: 1 year.



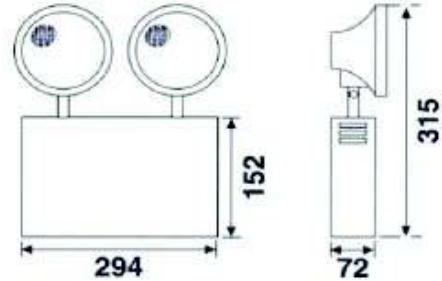
PSB Listed Label



Class 1

MODEL	LAMP
DL 210NM-THE (WP)	2 x 10 watt Halogen

Twin Flood Emergency Light



Dimensions (mm)

TECHNICAL DATA

Mode of Operation	:	Non-maintained.
Lamp	:	2 x 6V 10 watt Halogen lamp.
Operating Temperature	:	ta 40°C.
Mains Supply	:	230V AC 50Hz
Power Consumption	:	4VA
Battery	:	Maintenance-free Sealed Lead Calcium Battery. (Available in High Nickel Cadmium Battery)
Charger	:	Fully automatic constant voltage, current limited.
Charging Monitor	:	Ø 5mm Red LED.
Recharge Period	:	16 hrs.
Testing Facility	:	Push-off Test-switch for independent testing.
Emergency Duration	:	2 hrs.
Safety Feature	:	Low-voltage cut-off to prevent over-discharge of battery.
Construction	:	Electro-galvanised steel casing; epoxy powder coating.
Flammability Class	:	Self-extinguishing.
Weight	:	3.4kg.
Compliance	:	CP 19 ; SS263 pt.2 ; IEC 60598-2-22.
Installation	:	Wall or pendant mounting.
Cable Entry	:	1 x 20mm Ø knockout hole.
Warranty	:	1 year.



PSB Listed Label



Class 1

MODEL	LAMP
DL 210NM-THE	2 x 10 watt Halogen

Compact Emergency Light



TECHNICAL DATA

Mode of Operation	: Non-maintained.
Lamp	: 2 x 8watt fluorescent lamp.
Mains Supply	: 230V AC 50Hz
Power Consumption	: 3VA
Battery	: Maintenance-free High Temperature Nickel Cadmium.
Charger	: Fully automatic constant current.
Charging Monitor	: Ø 5mm Red LED.
Recharge Period	: Less than 24 hrs.
Testing Facility	: Push-off Test-switch for independent testing.
Emergency Duration	: 2 hrs.
Safety Feature	: Low-voltage cut-off to prevent over-discharge of battery.
Construction	: Injection moulded fire retardant polycarbonate housing; clear reeded diffuser.
Weight	: 1.3kg.
Compliance	: CP 19 ; SS263 pt.2 ; IEC 60598-2-22.
Installation	: Ceiling, wall or pendant mounting.
Cable Entry	: 1 x 20mm Ø knockout hole.
Warranty	: 1 year.



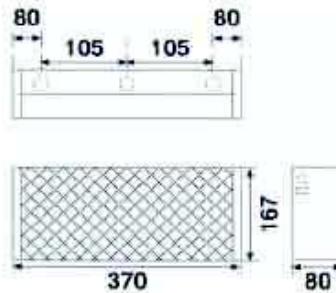
PSB Listed Label



Class 1

MODEL	LAMP
CEL 28NM	2 x 8watt fluorescent

Box Emergency Light



Dimensions (mm)

TECHNICAL DATA

Mode of Operation	: Non-maintained.
Lamp	: 2 x 8 watt Fluorescent lamp.
Operating Temperature	: ta 40°C.
Mains Supply	: 230V AC 50Hz
Power Consumption	: 3VA.
Battery	: Maintenance-free High Temperature Nickel Cadmium.
Charger	: Fully automatic constant current/dual-rate.
Charging Monitor	: Ø 5mm Red LED.
Recharge Period	: 16 hrs.
Testing Facility	: Micro-switch for independent testing.
Emergency Duration	: 2 hrs.
Safety Feature	: Low-voltage cut-off to prevent over-discharge of battery.
Construction	: Electro-galvanised steel casing; epoxy powder coating.
Flammability Class	: Self-extinguishing.
Classification	: C ₀ /C50, C ₉₀ /B50
Weight	: 2.65kg.
Compliance	: CP 19; SS263 pt.2; IEC 60598-2-22.
Installation	: Ceiling, wall or pendant mounting.
Cable Entry	: 4 x 20mm Ø knockout hole.
Warranty	: 1 year.



PSB Listed Label



Class 1

MODEL	LEGEND
BEL 28NM	2 X 8 watt Fluorescent

Projector Flood Light With Guard 160W

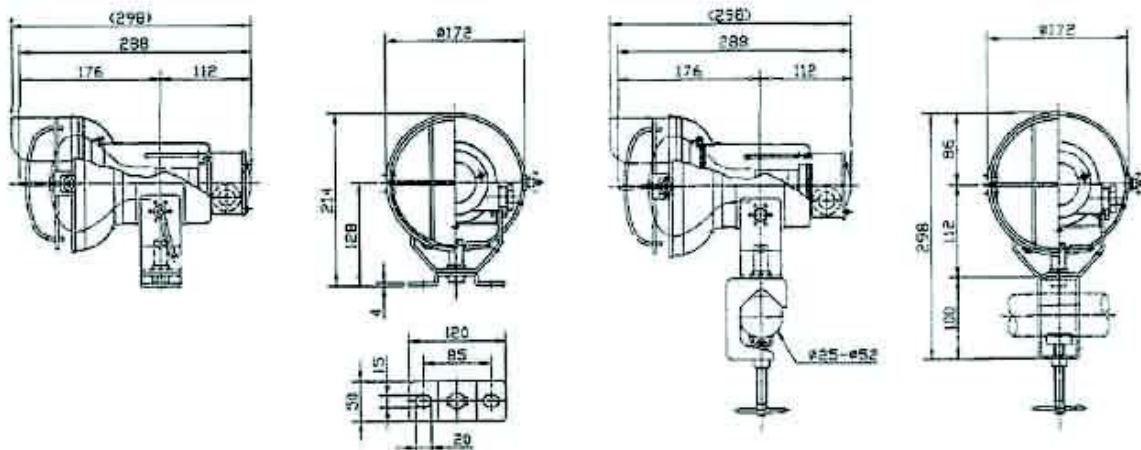
FDL-R12



FDL-R12V



MODEL NO	FDL-R12	FDL-R12V
MOUNTING	FLANGE	G-CLAMP
WEIGHT	2.2 KG	2.7 KG
ISSA NO.	791801	791803
INGRESS PROTECTION MATERIAL	IP55	
SOURCE VOLTAGE	BODY – STAINLESS STEEL	
APPLICABLE LAMP	GUARD – STAINLESS STEEL	
LAMP HOLDER	250V OR LESS	
DIP & ELEVATION ANGLE	RF-H 100W/150W/200W	
HORIZONTAL TURNING ANGLE	RS-H 100W/150W/200W	
	BHRF 160W	
	TE-26	
	UP 58° DOWN 45°	
	360°	

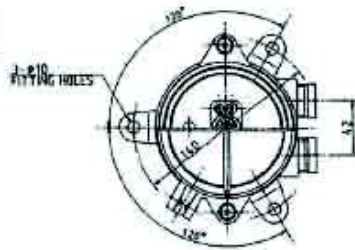
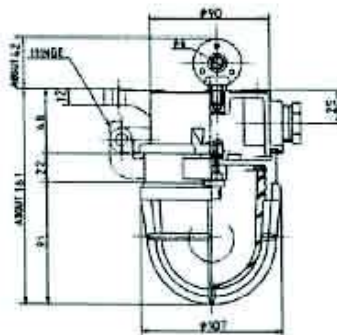


Watertight & Vibration Proof Pendant Light

PENDANT LIGHT 20W



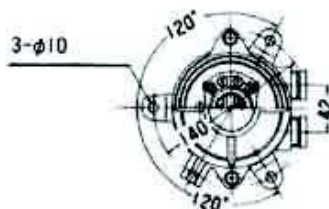
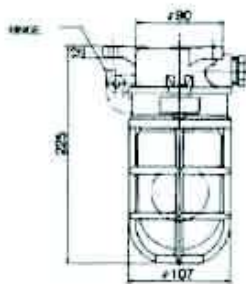
MODEL NO.	L-1
INGRESS PROTECTION MATERIAL	IP56 PBT (BODY) POLYCARBONATE (GUARD)
GUARD	GN-1
GLASS GLOBE	S80A
SOURCE VOLTAGE	24V/125V/250V
APPLICATBLE LAMP	20W
LAMP HOLDER	FB-15
COLOR	BLUE BODY, TRANSPARENT GUARD
WEIGHT	0.81kg
OPTIONS	FE-12 HOLDER BRASS GUARD RED GUARD FOR EMERGENCY L-1E (HANDING TYPE)



PENDANT LIGHT 60W

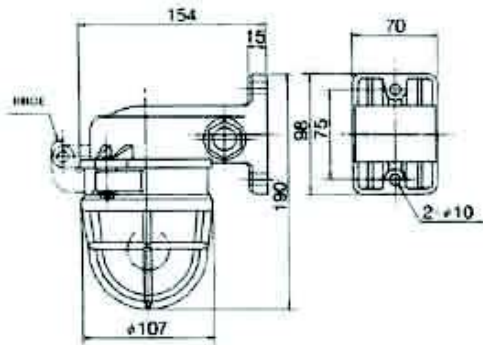


MODEL NO.	L-2
INGRESS PROTECTION MATERIAL	IP56 PBT (BODY) POLYCARBONATE (GUARD)
GUARD	GN-2
GLASS GLOBE	S80A
SOURCE VOLTAGE	24V/125V/250V
APPLICATBLE LAMP	60W
LAMP HOLDER	FE-26
COLOR	BLUE BODY, TRANSPARENT GUARD
WEIGHT	1.0kg
OPTIONS	FB-22 HOLDER BRASS GUARD COLOR GLOBES FOR SIGNALLING L-2E (HANDING TYPE)



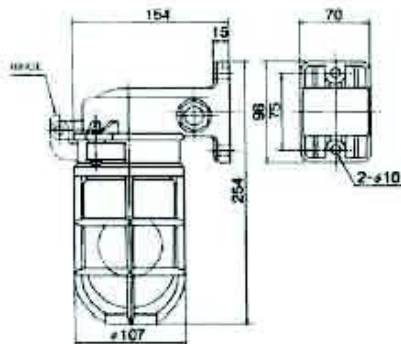
Wall Bracket Watertight & Vibration Proof Pendant Light

WALL BRACKET LIGHT 20W



MODEL NO	LB-1
INGRESS PROTECTION	IP56
MATERIAL	PBT (BODY) POLYCARBONATE (GUARD)
GUARD	GN-1
GLASS GLOBE	S80A
SOURCE VOLTAGE	24V/125V/250V
APPLICATBLE LAMP	20W
LAMP HOLDER	FB-15
COLOR	BLUE BODY, TRANSPARENT GUARD
WEIGHT	0.87kg
OPTIONS	FE-12 HOLDER BRASS GUARD RED GUARD FOR EMERGENCY

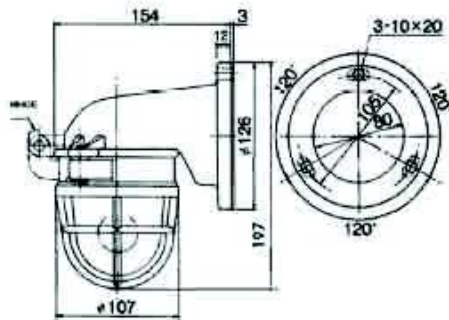
WALL BRACKET LIGHT 60W



MODEL NO	LB-2
INGRESS PROTECTION	IP56
MATERIAL	PBT (BODY) POLYCARBONATE (GUARD)
GUARD	GN-2
GLASS GLOBE	S80A
SOURCE VOLTAGE	24V/125V/250V
APPLICATBLE LAMP	60W
LAMP HOLDER	FE-26
COLOR	BLUE BODY, TRANSPARENT GUARD
WEIGHT	1.06kg
OPTIONS	FB-22 HOLDER BRASS GUARD

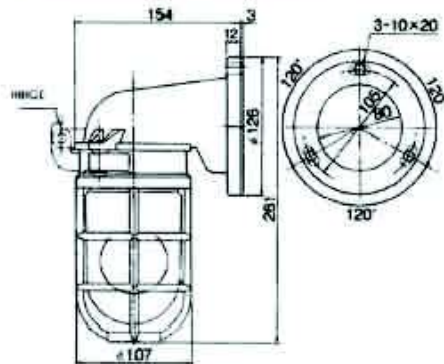
Wall Light Watertight & Vibration Proof Pendant Light

WALL LIGHT 20W



MODEL NO.	LBF-1
INGRESS PROTECTION	IP56
MATERIAL	PBT (BODY) POLYCARBONATE (GUARD)
GUARD	GN-1
GLASS GLOBE	S80A
SOURCE VOLTAGE	24V/125V/250V
APPLICATBLE LAMP	20W
LAMP HOLDER	FB-15
COLOR	BLUE BODY, TRANSPARENT GUARD
WEIGHT	0.85kg
OPTIONS	FE-12 HOLDER BRASS GUARD RED GUARD FOR EMERGENCY

WALL LIGHT 60W



MODEL NO.	LBF-2
INGRESS PROTECTION	IP56
MATERIAL	PBT (BODY) POLYCARBONATE (GUARD)
GUARD	GN-2
GLASS GLOBE	S90A
SOURCE VOLTAGE	24V/125V/250V
APPLICATBLE LAMP	60W
LAMP HOLDER	FE-26
COLOR	BLUE BODY, TRANSPARENT GUARD
WEIGHT	1.04kg
OPTIONS	FB-22 HOLDER BRASS GUARD

Revolving Warning Light

LTE/LTD-1105

Bullet Type



Technical Date

Model	Voltage	Power
LTE-1105	DC12V 24V	5W
LTD-1105	AC110V 220V	

LTE/LTD-1122

Bullet Type



Technical Technical Date

Model	Voltage	Power
LTE-1122	DC12V 24V	10W
LTD-1122	AC110V 220V	

LTE/LTD-1081

Small Round Type



Technical

Model	Voltage	Power
LTE-1081	DC12V 24V	5W
LTD-1081	AC110V 220V	

LTE/LTD-1101

External Octagonal Type



Technical

Model	Voltage	Power
LTE-1101	DC12V 24V	10W
LTD-1101	AC110V 220V	

LTE-1104

Round Type

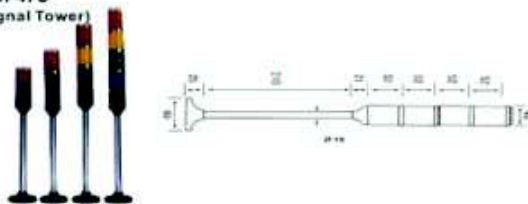


Technical

Model	Voltage	Power
LTE-1104	DC12V 24V	10W
LTE-1104J	AC110V 220V	

LTA204-1/2/3/4/5

Multilayer Type(Signal Tower)

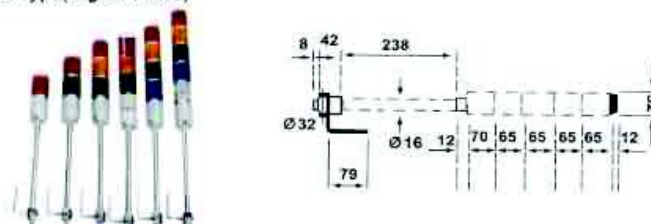


Technical

Model	Function	Voltage	Power
LTA-204-1,	T	DC12V 24V	3W
2, 3, 4, 5	W		

LTA205-1/2/3/4/5

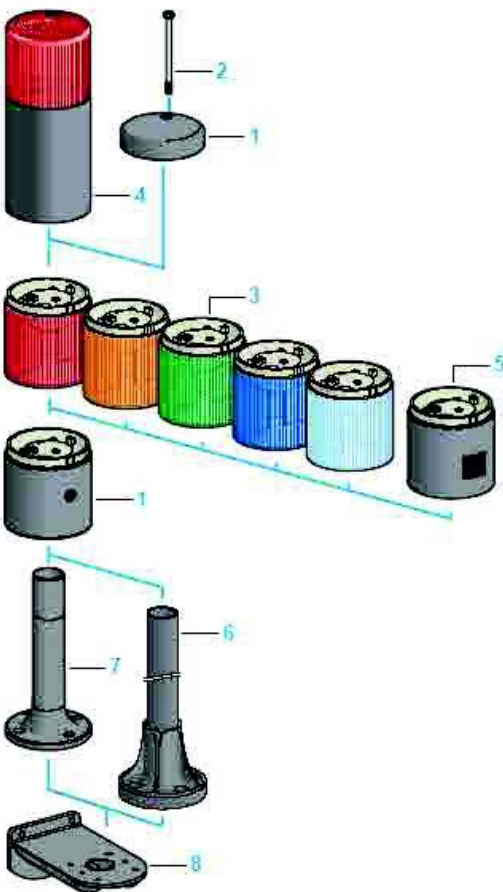
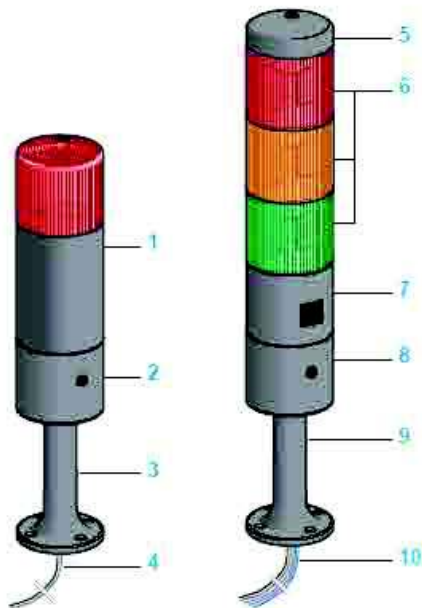
Multilayer Type(Signal Tower)



Technical

Model	Function	Voltage	Power
LTA-205-1,	T	DC12V	5W
2, 3, 4, 5	W		
	TJ	AC110V	
	WJ	AC220V	

Beacons and indicator Banks



Description

Pre-assembled Ø 70 mm beacons and indicator banks XVD

The beacons comprise:

- 1 an illuminated unit with "flash" discharge tube included, colour orange or red,
- 2 a base unit,
- 3 a 100 mm high plastic fixing base (support tube with integral fixing plate), for raising the beacon 80 mm,
- 4 different coloured connecting wires with bared ends, length protruding from support tube: 300 mm.

The indicator banks comprise:

- 1 a cover,
- 2 two, three or four illuminated units, colour red, green, orange or clear (depend on model), with light sources included,
- 3 an audible unit (buzzer), depending on model,
- 4 a base unit,
- 5 a 100 mm high plastic fixing base (support tube with integral fixing plate), for raising the indicator bank 80 mm,
- 6 different coloured connecting wires with bared ends, length protruding from support tube: 300 mm.

Breakdown of the reference for a complete indicator bank (1)

		XVD		Number of signalling units			
				1	2	3	4
Voltage	≈ 24 V	B					
	≈ 110 V	G					
	≈ 230 V	M					
Light source	Incandescent bulb	1					
	LED	2					
Buzzer	Without		(2)				
	With						
Illuminated unit	Colour	Red	R	R	R	R	R
	Orange	A	A	A	A	A	A
	Green	G	G	G	G	G	G
	Clear	C	C	C	C	C	C
	Signalling	Fixed		(2)	(2)	(2)	(2)
	"Flash"		6	6	6	6	

(1) This table is purely for information and must not be used to create references.

(2) Not indicated, default value

Reference example

XVD B2SGR = indicator bank for ≈ 24 V supply voltage comprising a buzzer, one green lens unit and one red lens unit, both fitted with an LED.

Ø 70 mm indicator banks XVD for customer assembly

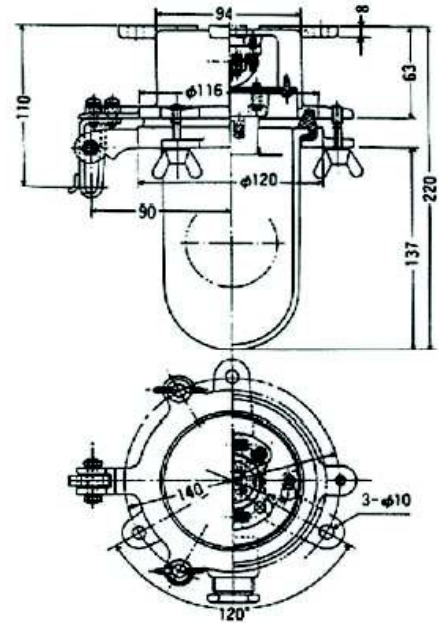
A customised indicator bank can be obtained by assembling:

- 1 a cover and a base unit incorporating a removable terminal block (1) with both cable entry,
- 2 a fixing screw for the combined units (2),
- 3 5 illuminated units maximum (3), red, orange, green, blue or clear lens units, supplied without light source (4),
- 4 an illuminated unit with integral "flash" discharge tube (always mounted at the of the bank),
- 5 an audible unit (buzzer),
- 6 a fixing base comprising an aluminium support tube glued into a plastic fixing plate, for raising the indicator bank by 80, 380 or 780 mm,
- 7 a plastic fixing base (support tube with integral fixing plate), height 100 mm,
- 8 a zamak fixing plate for use on a vertical support.

Signal Light & Audio



MODEL NO.	1M
INGRESS PROTECTION	IP56
MATERIAL	RESIN (BODY)
GLASS GLOBE	F90A
SOURCE VOLTAGE	24V/125V/250V
APPLICATBLE LAMP	40W
LAMP HOLDER	FE-26
COLOR	GREEN BODY
WEIGHT	1.2kg
OPTIONS	FB-22 HOLDER GLOBES (CLEAR, RED, BLUE, GREEN AMBER)



505/2 CEILING LIGHT 60W



MAX CAPACITY	: 60W
LAMPHOLDER	: E27
CLASSIFICATION	: EExed IIC T3 IP56
MATERIAL	: BRASS
WEIGHT	: 3.1 KG
VOLT	: 24V 110V 230V

3312/GEW CEILING LIGHT 200W



MAX CAPACITY	: 200W
LAMP HOLDER	: E27
CLASSIFICATION	: EExde IIC T3 IP67
MATERIAL	: BRASS
WEIGHT	: 13.4KG
VOLT	: 110V 220V ENERGY SAVING LAMP 110V 23W ENERGY SAVING LAMP 230V 23W

510 BRASS JOINT BOX



NO. OF TERMINAL	: 4 X 6mm ²
CURRENT	: 30A
MATERIAL	: BRASS
CLASSIFICATION	: EExd IIC T6,IP56
CABLE ENTRY	: 4 X M24

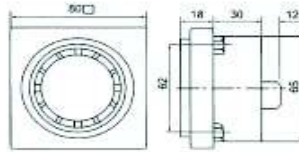
CABLE ENTRY

-O-
=O
=O-
=O=

Audio

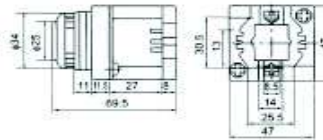
Buzzer

HRB-P80



Voltage	AC110V 220V 380V DC12V 24V
Mounting style	Surface mounting
(DBA/100cm)	90~100

HRB-PS30

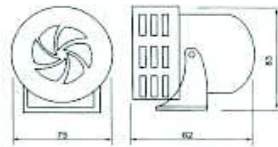
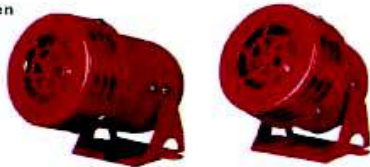


Voltage	AC110V 220V DC12V 24V
Mounting style	Flush mounting
(DBA/100cm)	85~95

Siren

MS-190

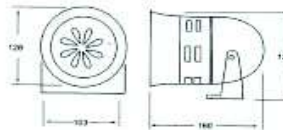
Mini Motor Siren



Model	Voltage
MS-190	DC12V 24V AC110V 220V

MS-290

Motor Siren



Model	Voltage
MS-290	DC12V 24V AC110V 220V

Y03/Y05

ELECTRONIC SOUNDER



CLASSIFICATION : EExd IIC T4/T6.ZONE 1&2, IP66 ATEX 1190X
 MATERIAL : ABS FLAME RETARDANT PLASTIC
 SOUND LEVEL : 32 TONE ELECTRONIC SOUNDER 105 dB/m
 CABLE ENTRY : 2x M20
 OPERATING TEMP : -25°C TO +40°C
 REMARK : TO CONNECT SAFETY BARRIER
 CURRENT : 20mA
 VOLTAGE : 24V dc

Y07 ELECTRONIC SOUNDER



CLASSIFICATION : EEx d IIB AND H2 T6.ZONE 1&2, IP67 ATEX
 MATERIAL : LM6 ALUMINIUM BODY
 SOUND LEVEL : 32 TONE ELECTRONIC SOUNDER 110 dB/m
 CABLE ENTRY : 2x M20
 OPERATING TEMP : -20°C TO +40°C

CURRENT	VOLT
300mA	24Vdc
84mA	115Vac
42mA	230Vac

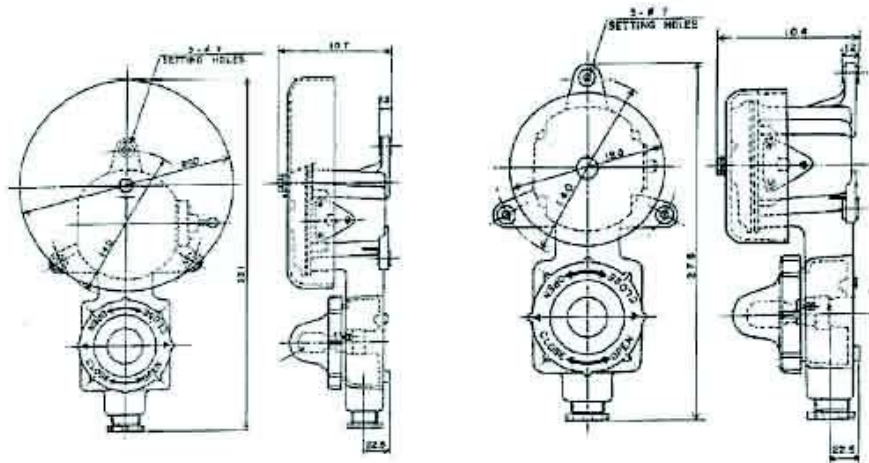
Watertight Bell

NBU-L200



MODEL	WEIGHT (KG)	VOLT	Hz	AMPERE (A)	SOUND FREQ	LEVEL (dB)	ISSA NO
NBU-L120	1.3	DC22V	—	0.35	800 - 10000	108	793441
		AC110V	50/60	0.19	800 - 10000	107.5	793443
		AC220V	50/60	0.09	800 - 10000	106.5	793444
NBU-L200	2.1	DC22V	—	0.39	500 - 10000	108	793442
		AC110V	50/60	0.2	500 - 10000	105.5	793445
		AC220V	50/60	0.1	500 - 10000	106.5	793446

NBU L120



WATERTIGHT BUZZER WITH PILOT LAMP

MODEL NO.	2SLW
INGRESS PROTECTION	IP44
MATERIAL	ALUMINUM ALLOY(BODY)
GLAND	#20X1
RATED VOLTAGE	DC24V, AC110/220V
WEIGHT	2.4 KG

2SLW

